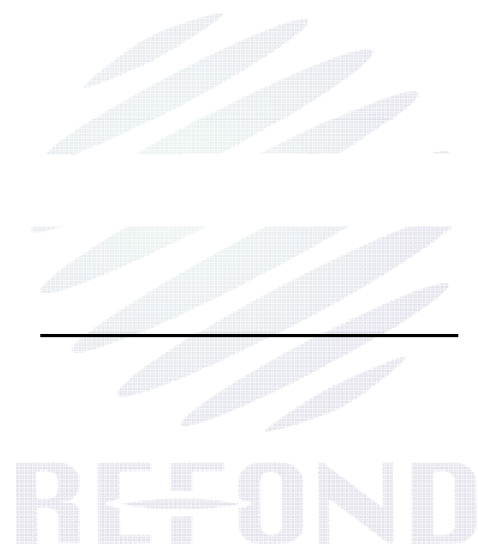
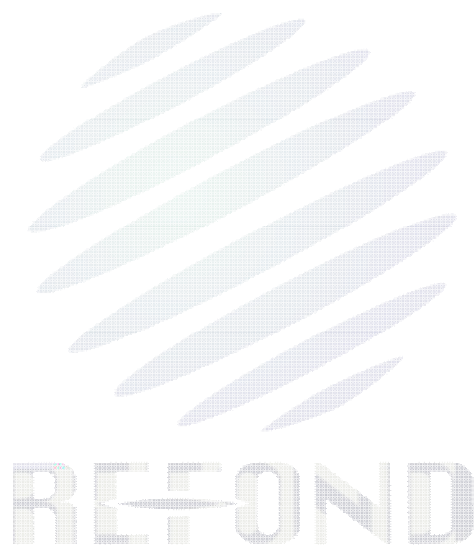


SPECIFICATION

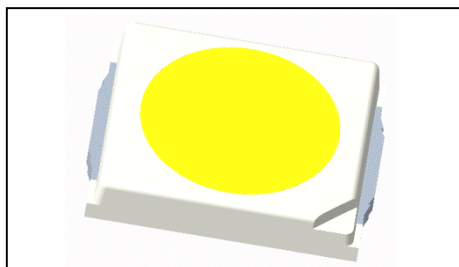


| | |
|---------------------|----|
| | 3 |
| General Description | 3 |
| | 3 |
| | 3 |
| | 4 |
| | 4 |
| | 5 |
| | 6 |
| | 8 |
| | 12 |
| | 12 |
| | 13 |
| | 13 |
| | 14 |
| | 15 |
| | 16 |
| | 16 |
| | 16 |
| | 18 |
| | 18 |



1. Description

1.1



1.2 Features

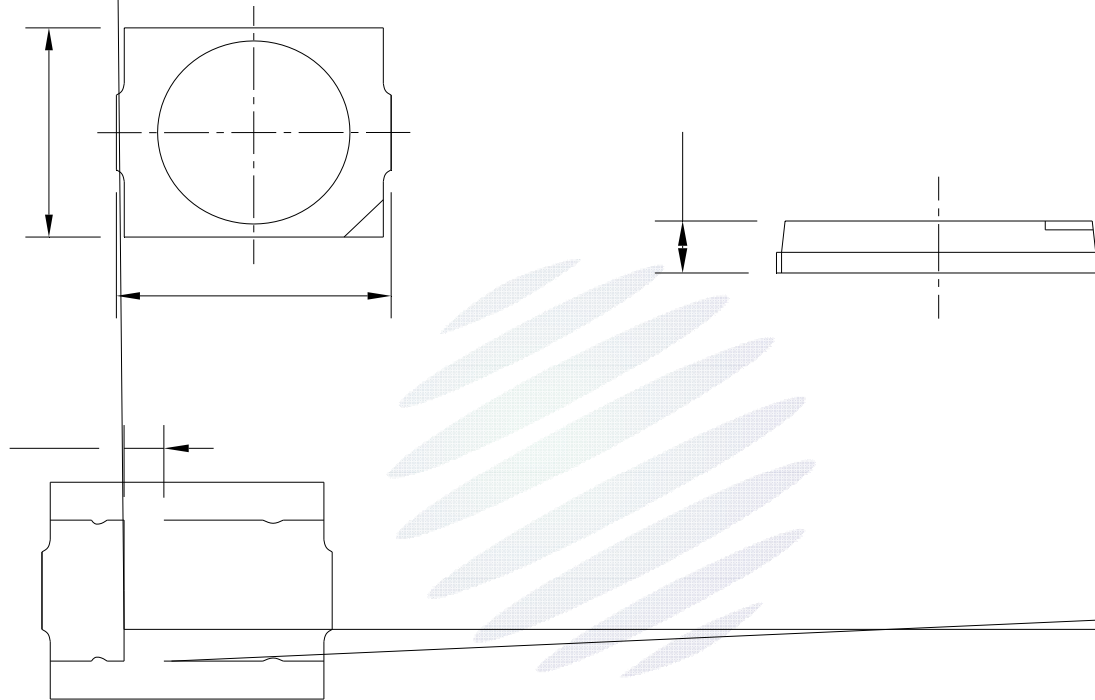


1.3 Application

1.4 Product Selection Table

| | | | | | |
|--|--|--|--|--|--|
| | | | | | |
| | | | | | |
| | | | | | |
| | | | | | |

1.5 Package Dimension



REFOND



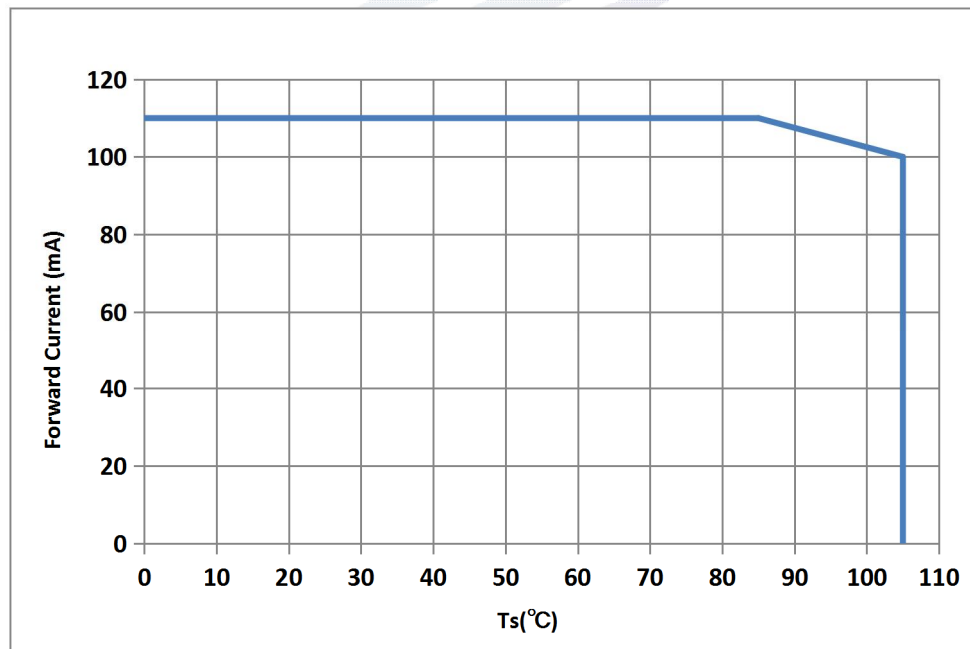
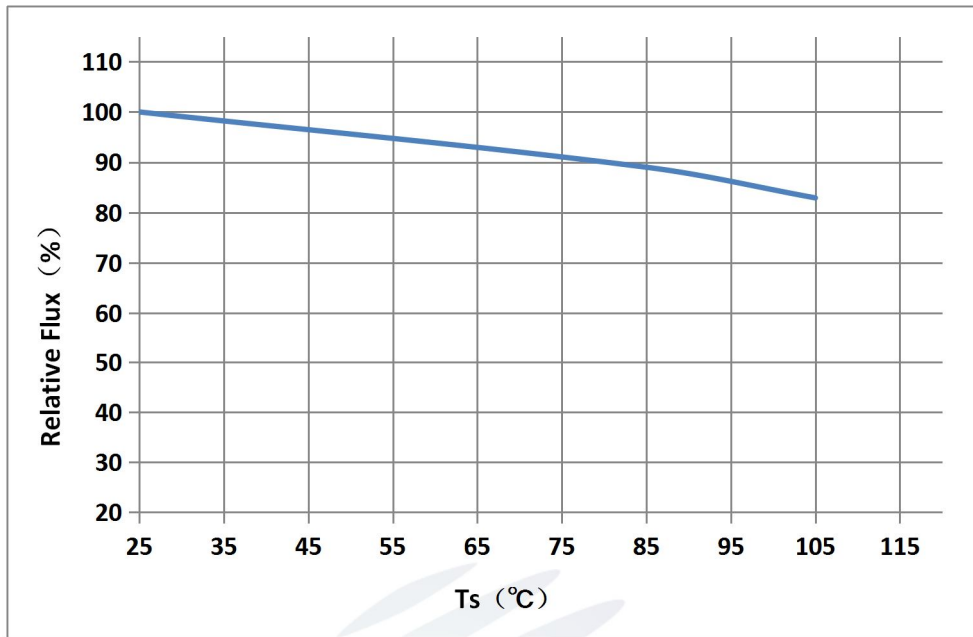
40M

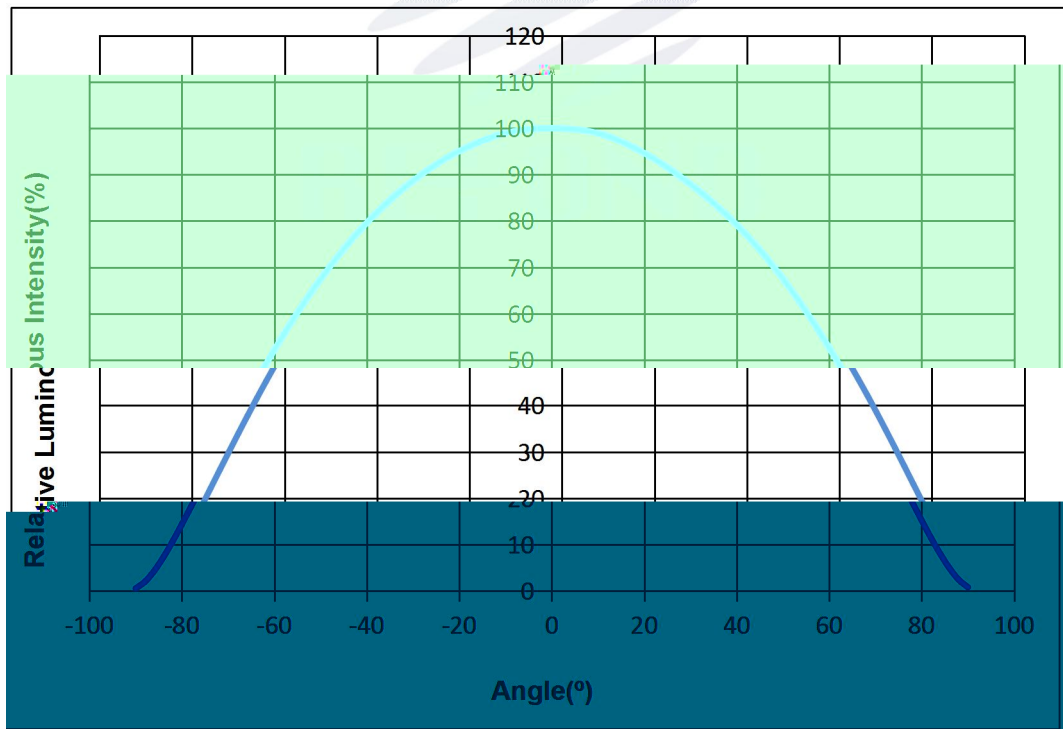
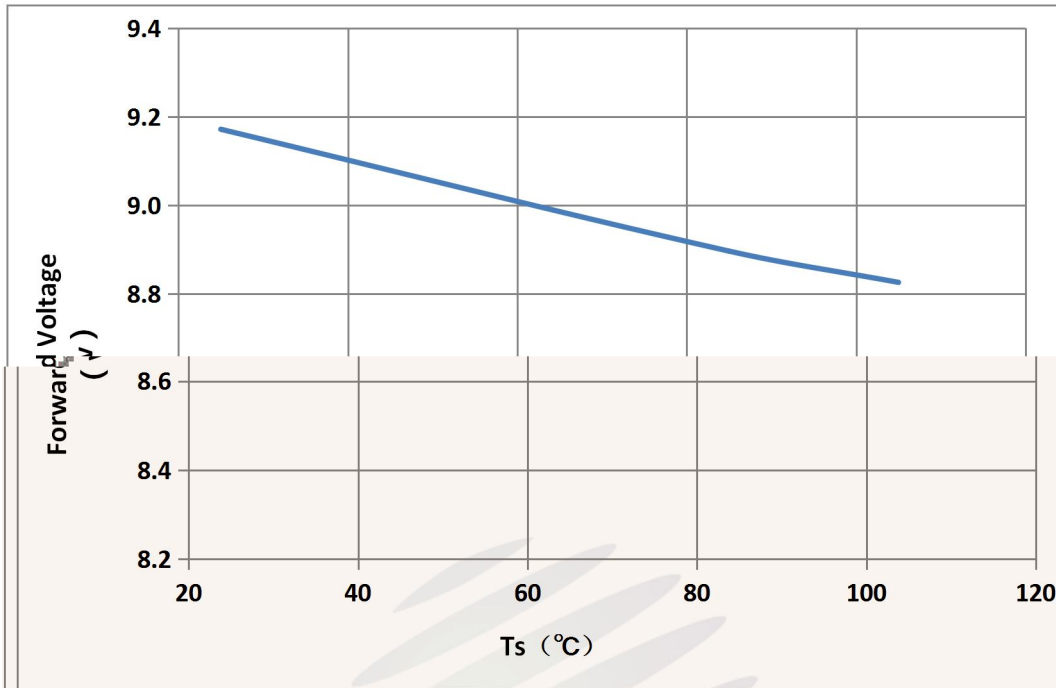
30M

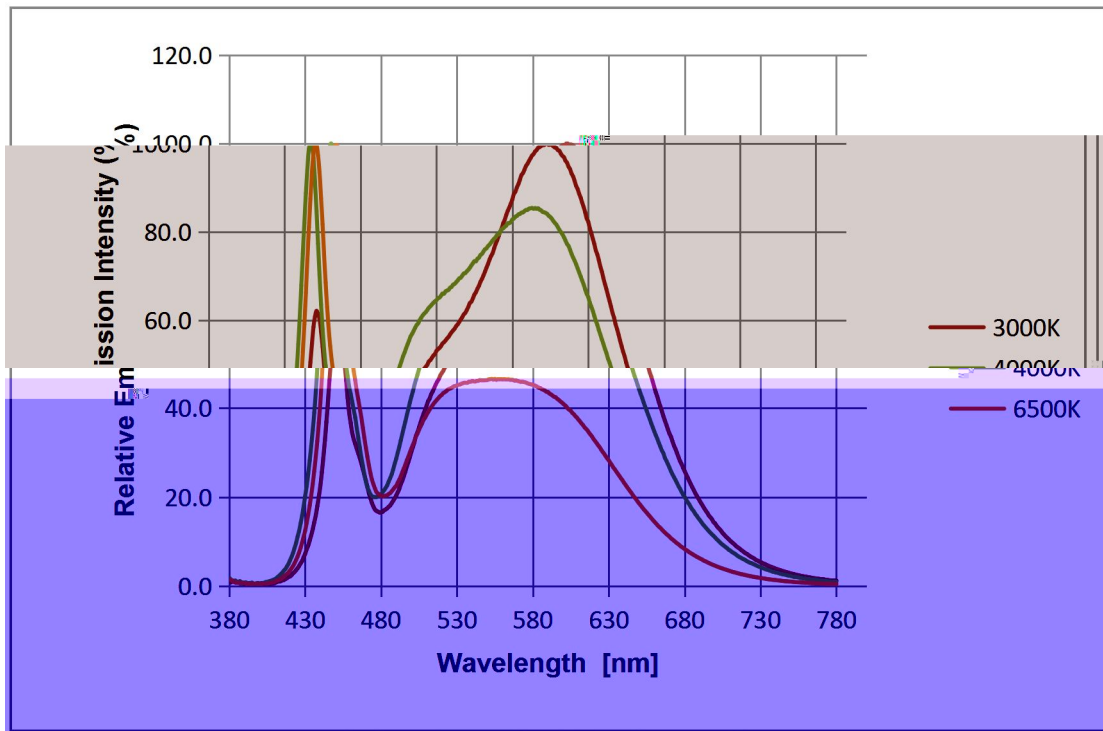


1.8 Typical optical characteristics curves





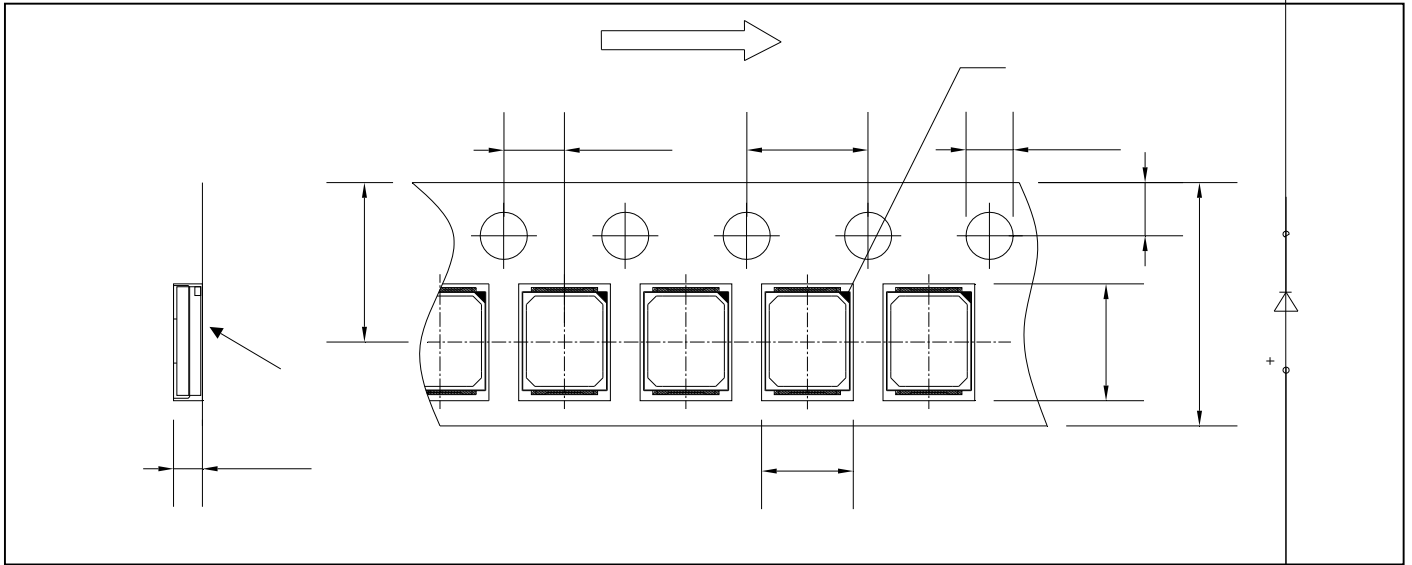




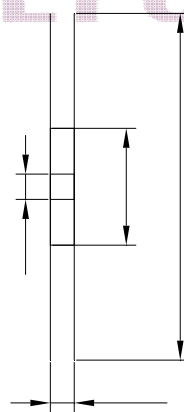
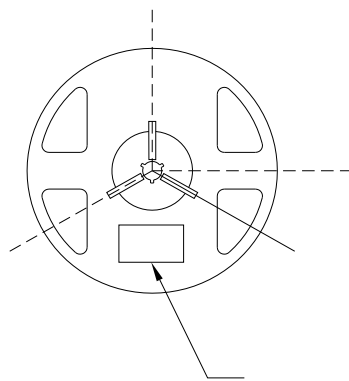
REFOND

2. Packaging

2.1 Packaging Specification



REFOND

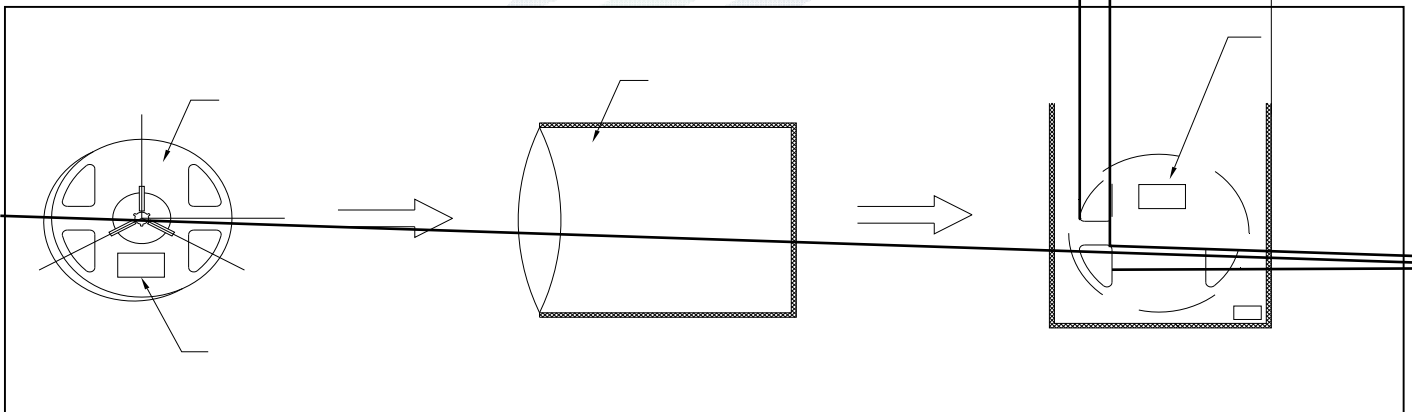


| | | |
|--|--|--|
| | | |
| | | |
| | | |
| | | |

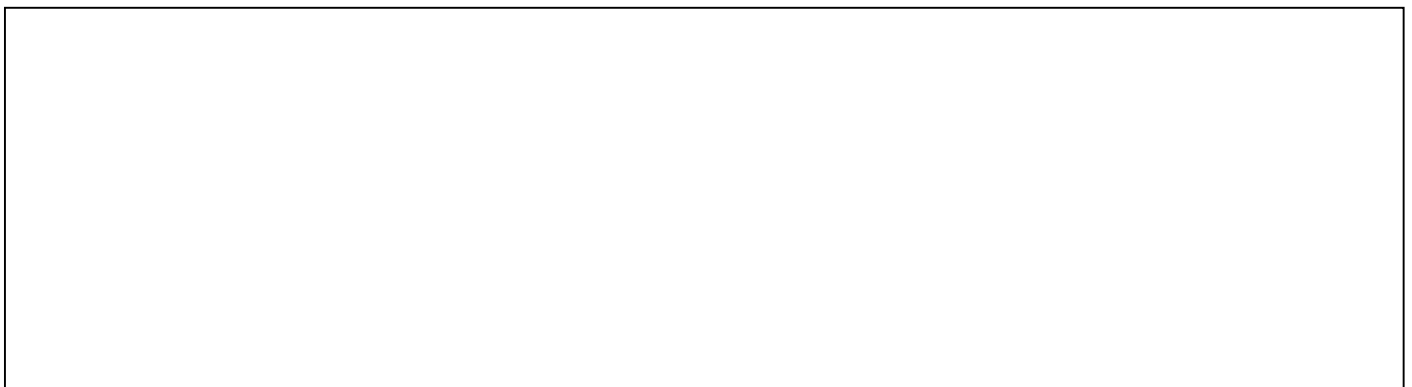
| | | |
|---|-------|---|
| PART NO: | |  |
| SPEC NO: | | |
| LOT NO | | |
| BIN CODE: | | |
| Φ: | XY: | |
| VF: | WLD: | |
|  | QTY: | |
| | DATE: | |

| | |
|--|--|
| | |
| | |
| | |
| | |
| | |
| | |
| | |
| | |
| | |
| | |

2.2 Moisture Resistant Packing

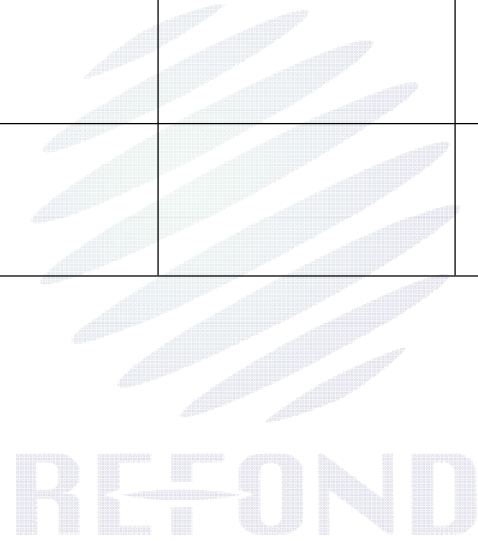


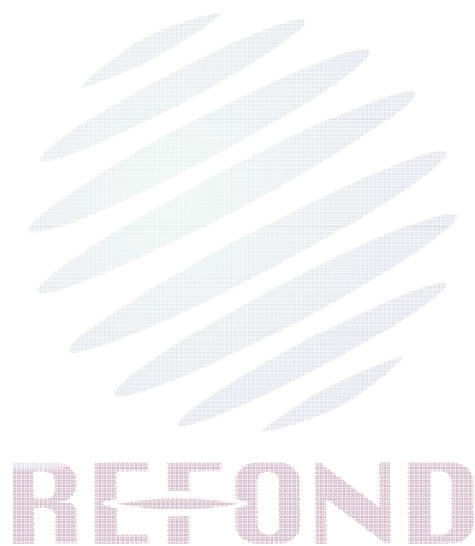
2.3 Cardboard Box



2.5 Criteria For Judging Damage

| | | | | |
|--|--|--|--|--|
| | | | | |
| | | | | |
| | | | | |
| | | | | |
| | | | | |



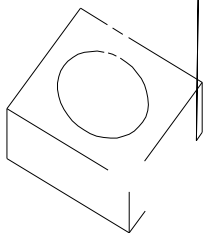


4. Handling Precautions

4.1 Handling Precautions

V Dö R e— W€W R





| | | | |
|--|--|--|--|
| | | | |
| | | | |
| | | | |
| | | | |

REFOND

