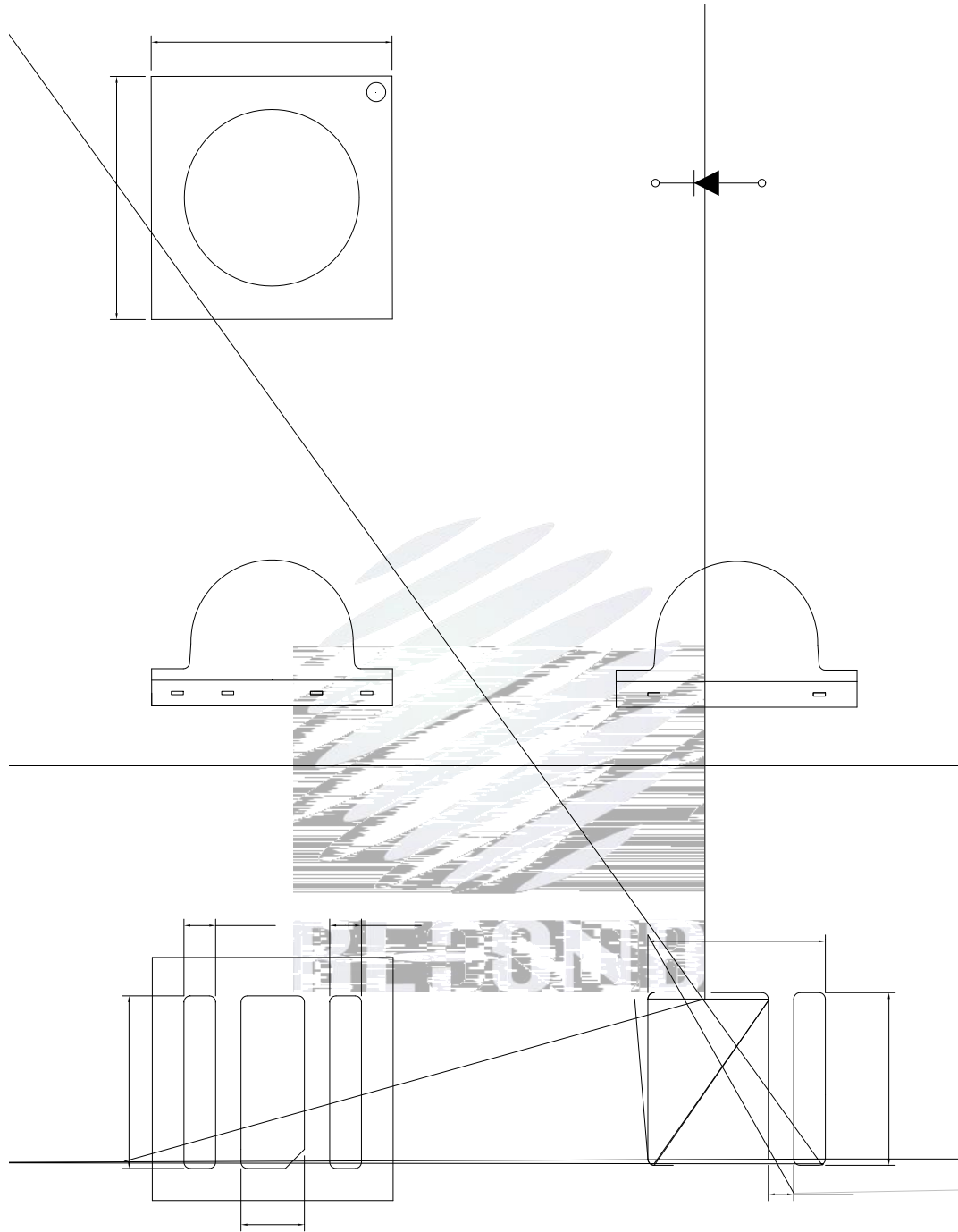




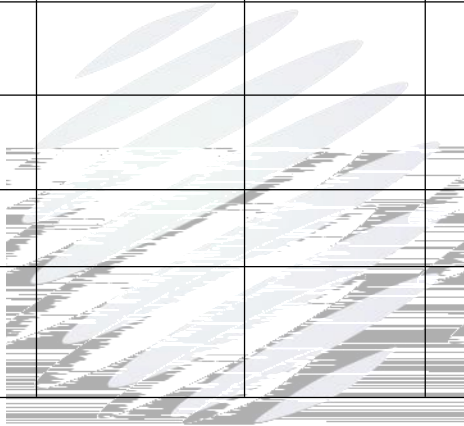


General Description

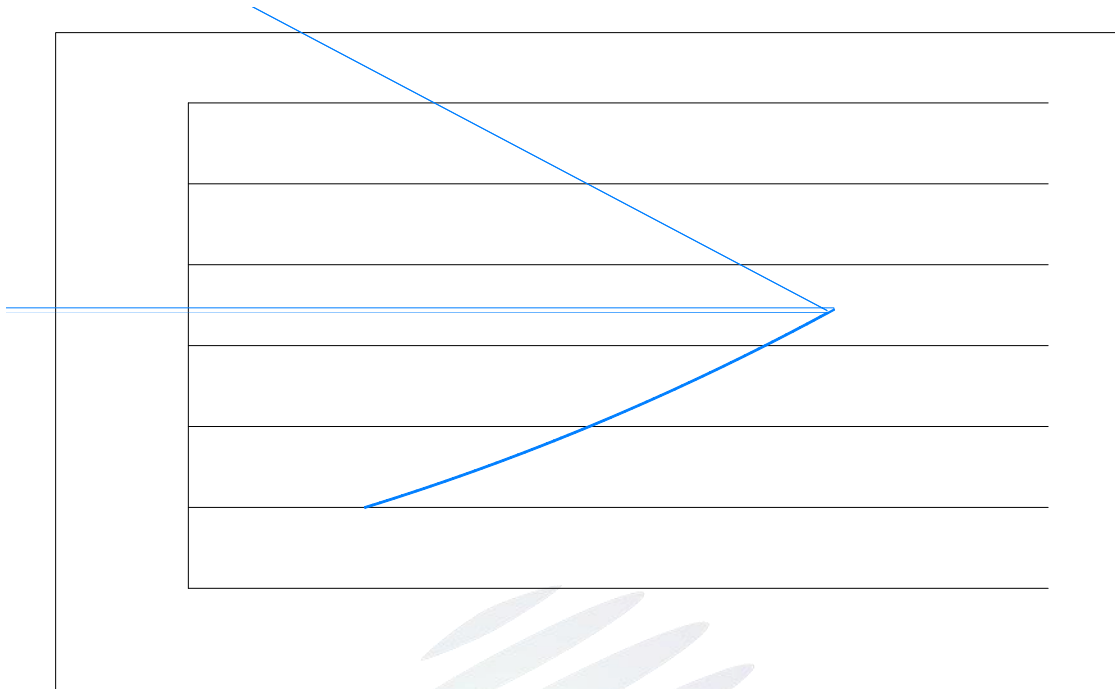


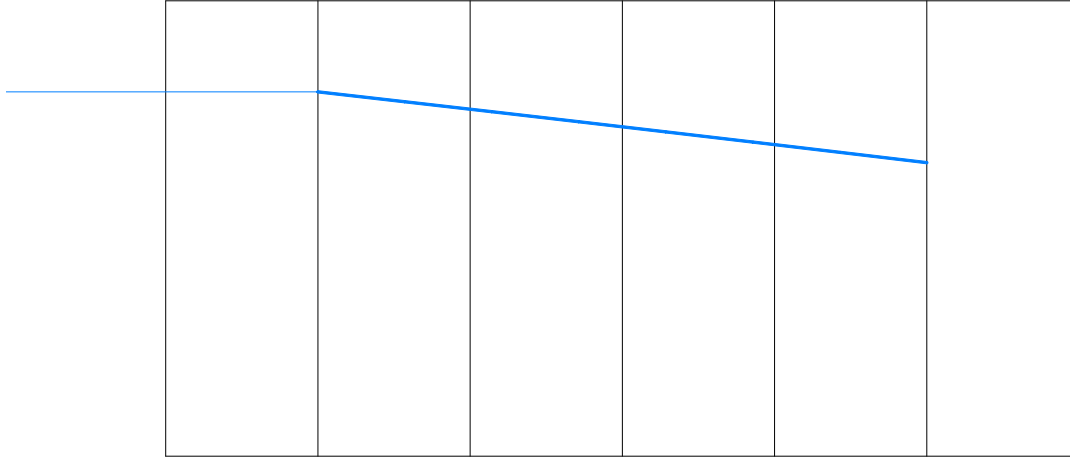


	λ					

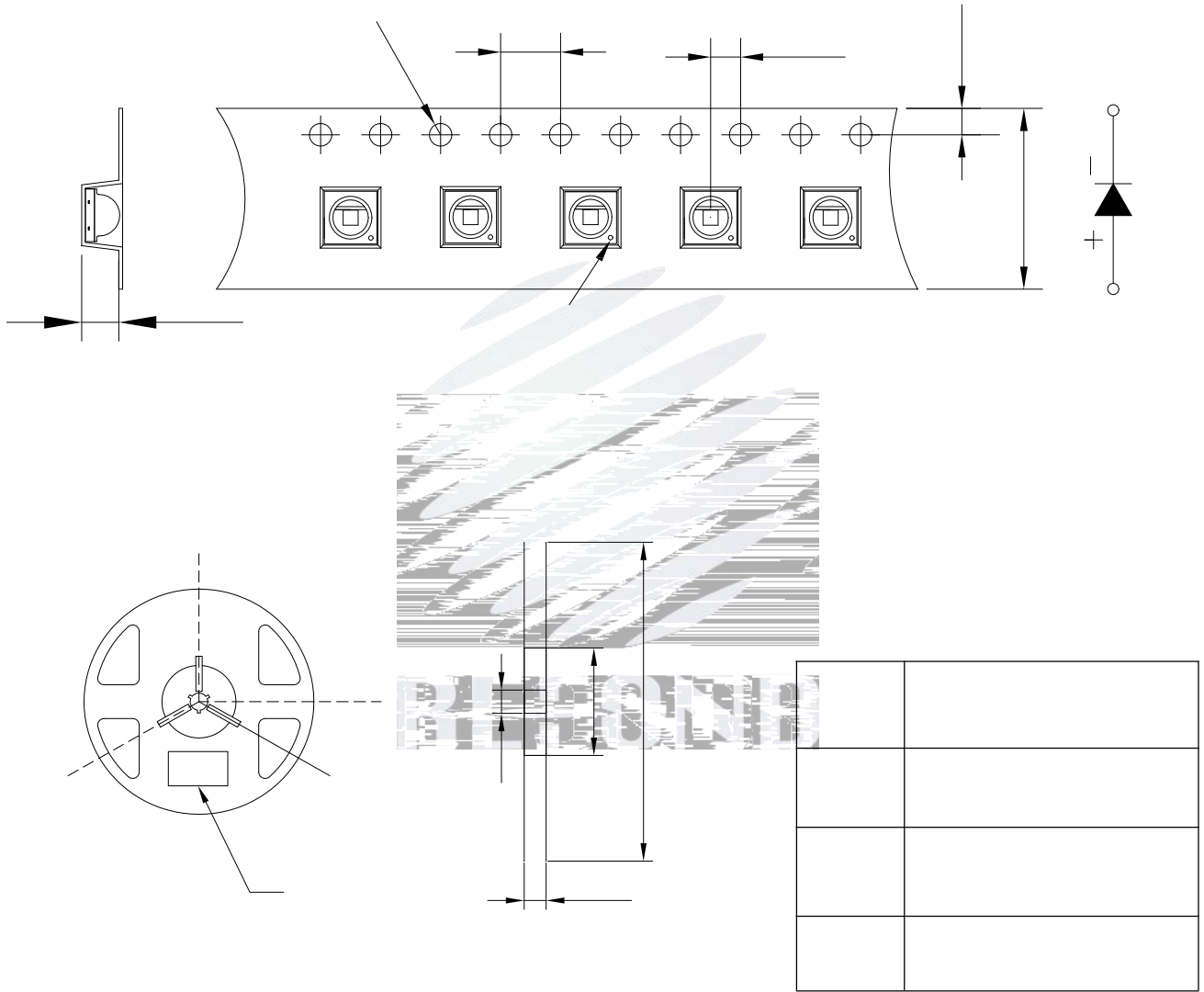


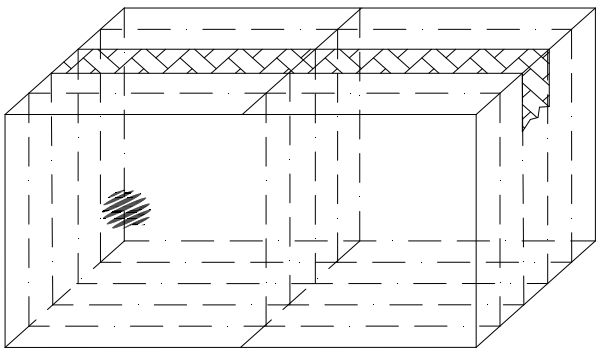
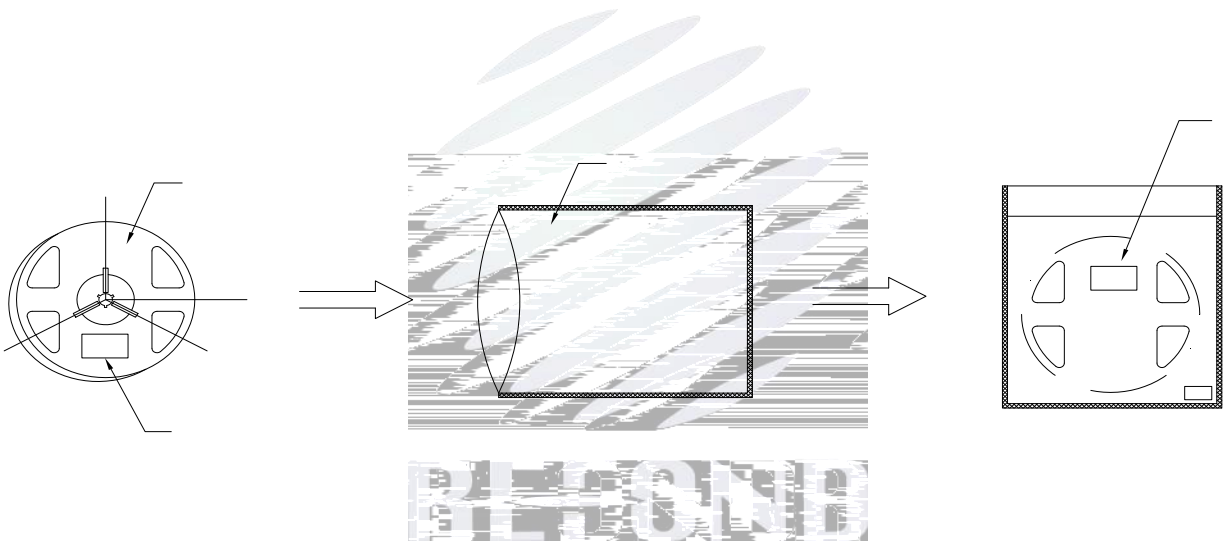


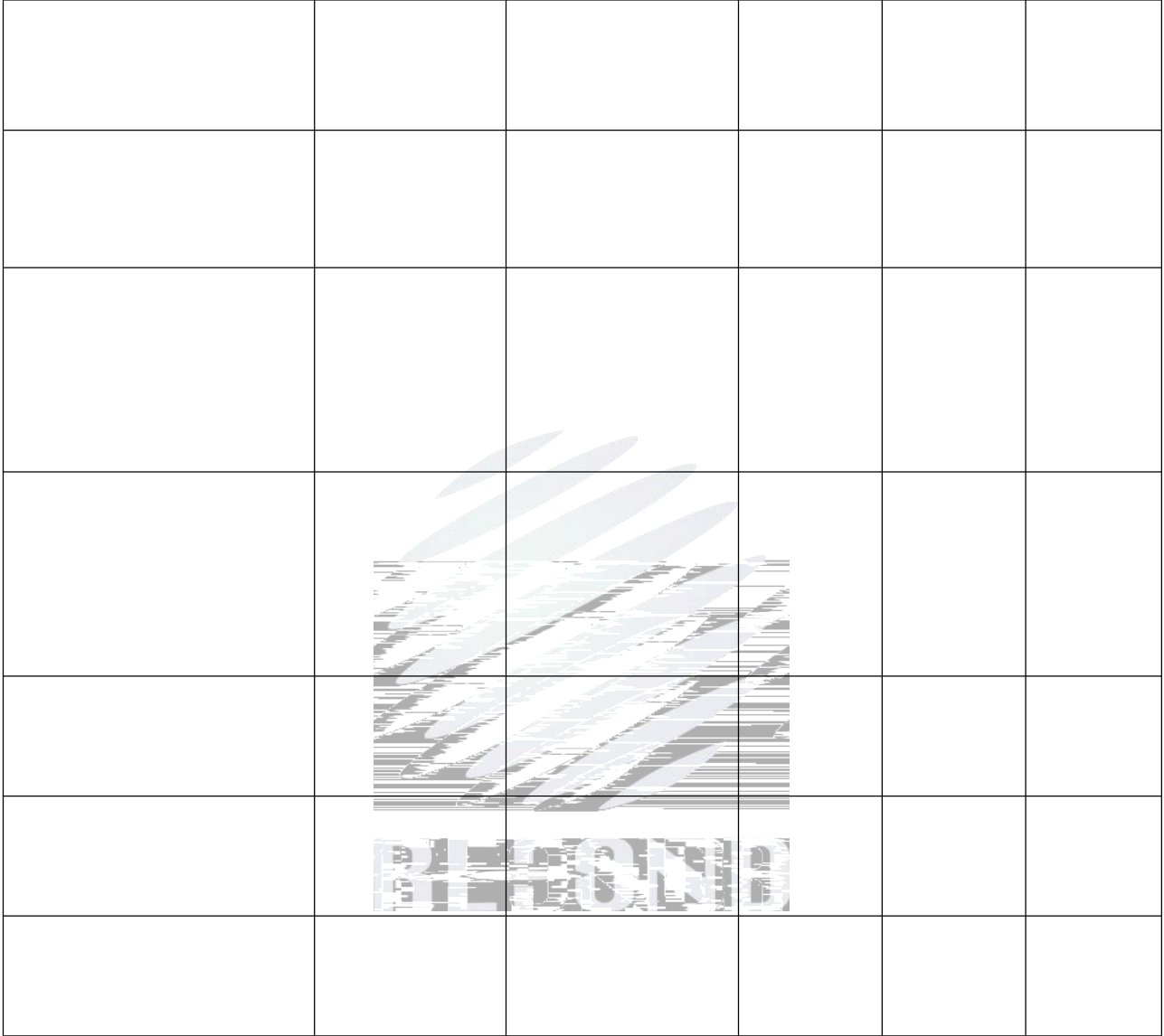


















DR

DR

UKL

FD H

H

7

IV

SRW





