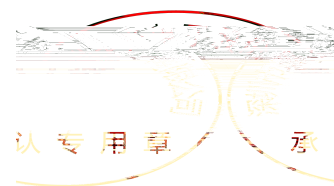


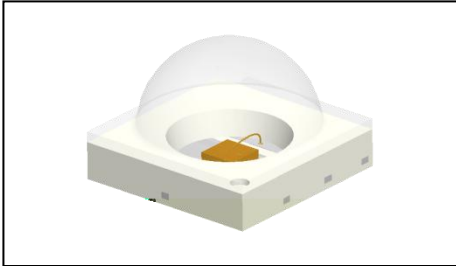
# SPECIFICATION





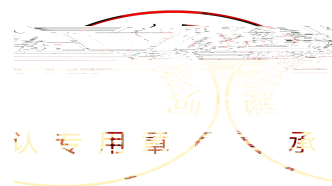
## 1. Description

### 1.1 General Description

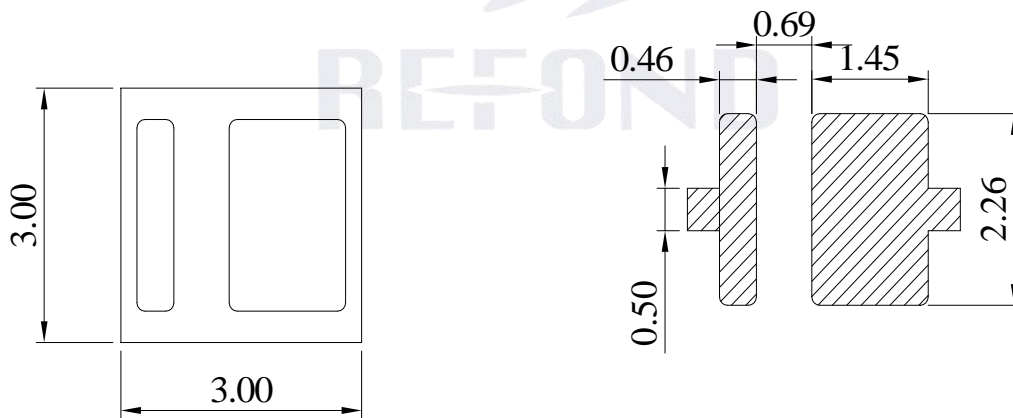
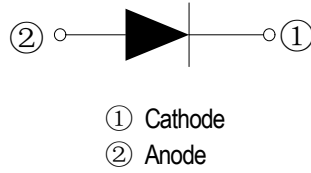
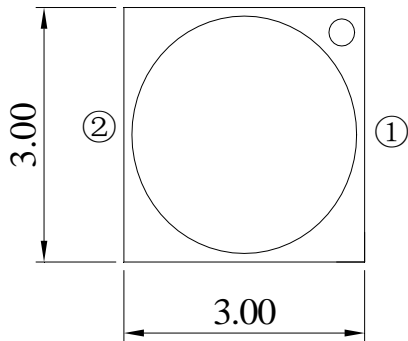


### 1.2 Features

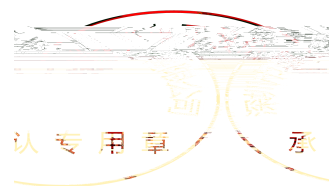
### 1.3 Application



### 1.4 Package Dimension



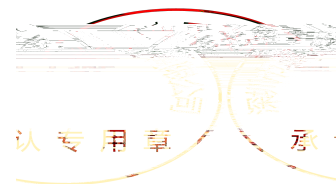
±



## 1.5 Product Parameters

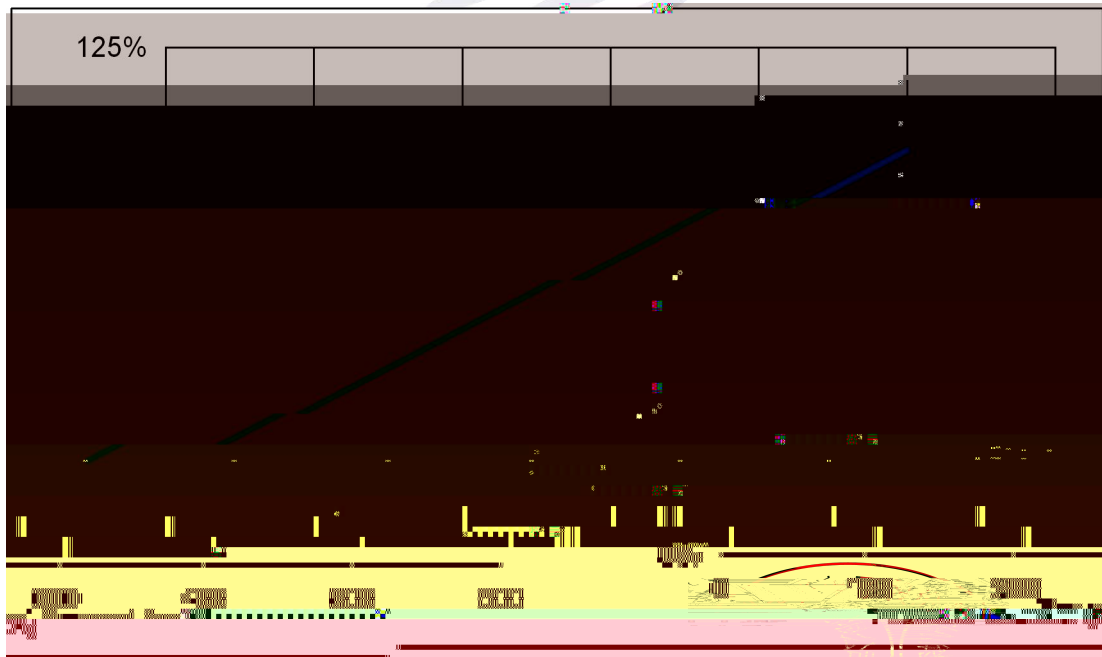
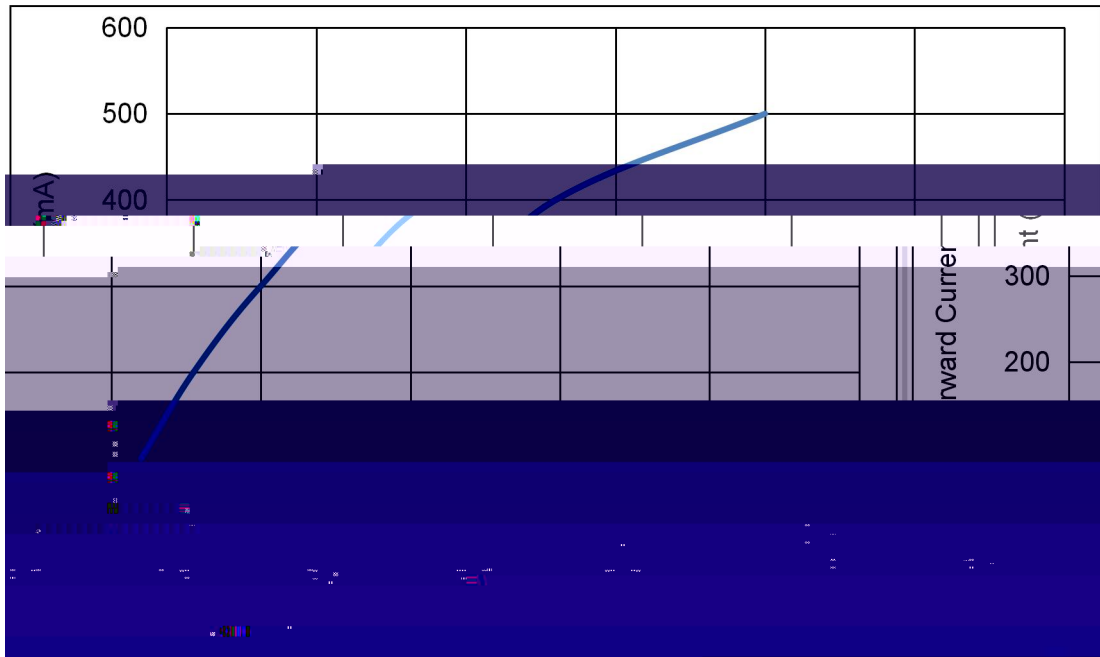
	$\lambda$					
( )						
( )	$\phi$					
( )						
						°C

REFOND

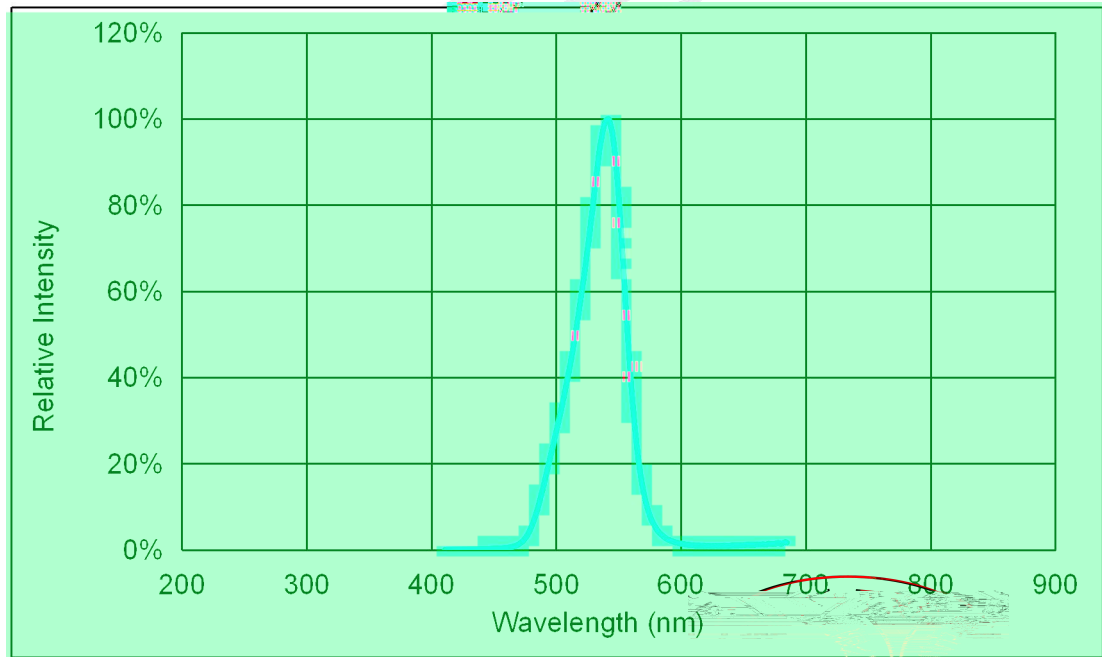
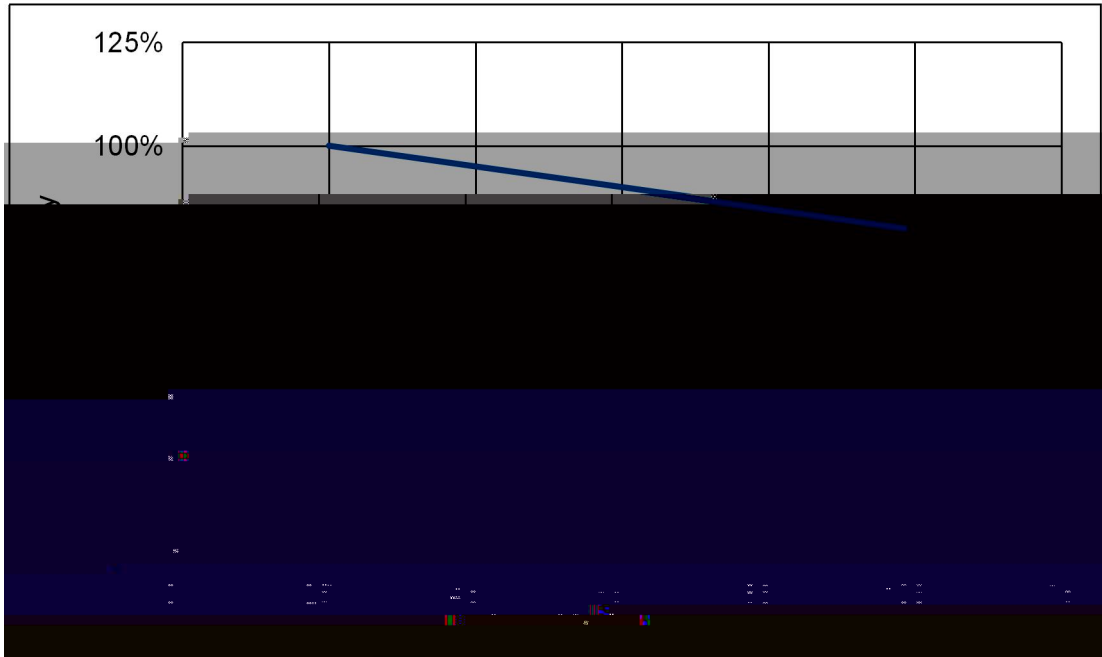




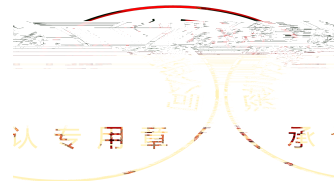
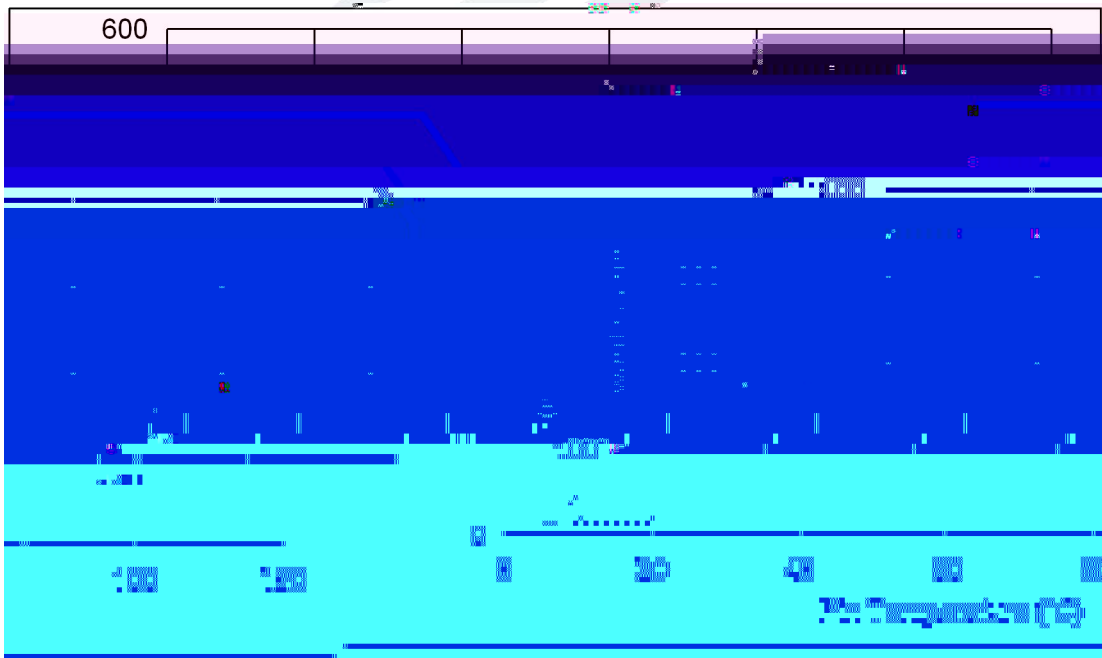
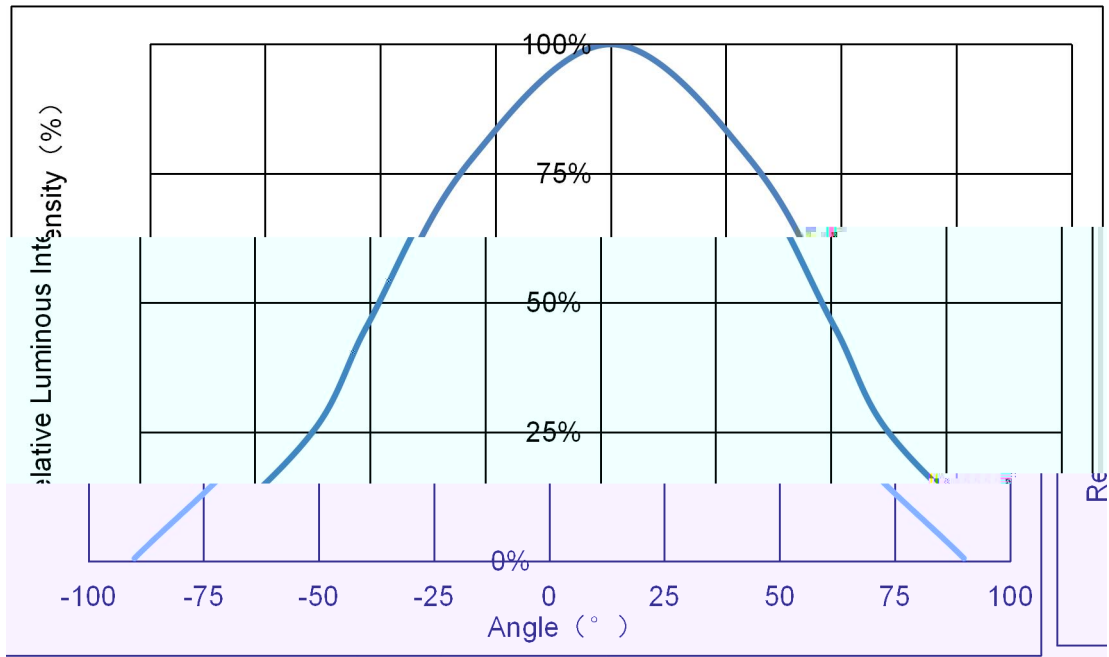
## 1.6 Typical optical characteristics curves



認專用章 承

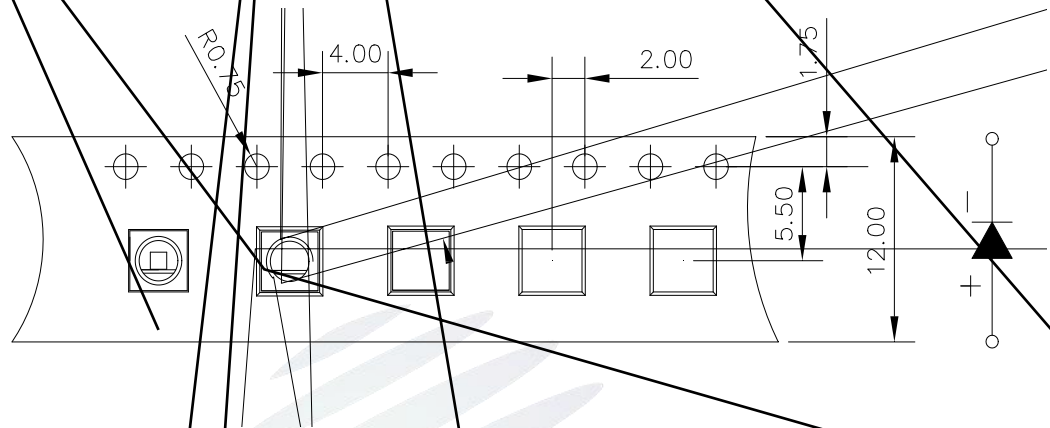


認專用章 功 承

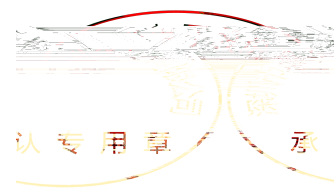


## 2. Packaging

### 2.1 Packaging Specification



REFOND

---

---

---

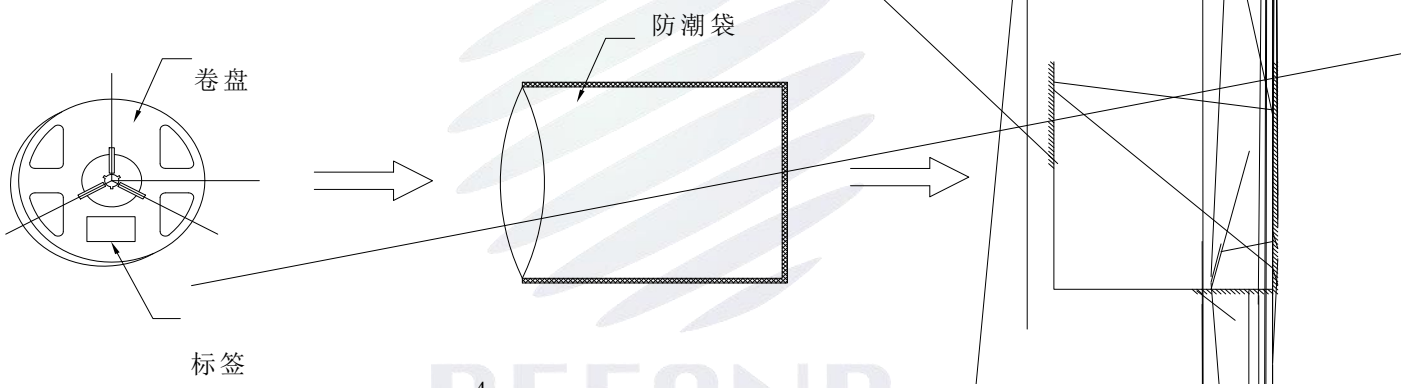
---

---

---

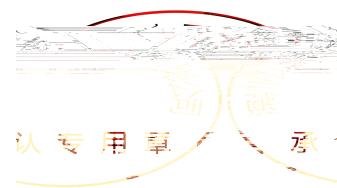
---

---

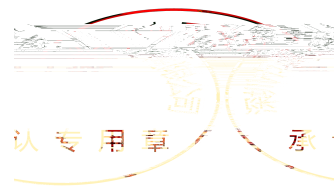
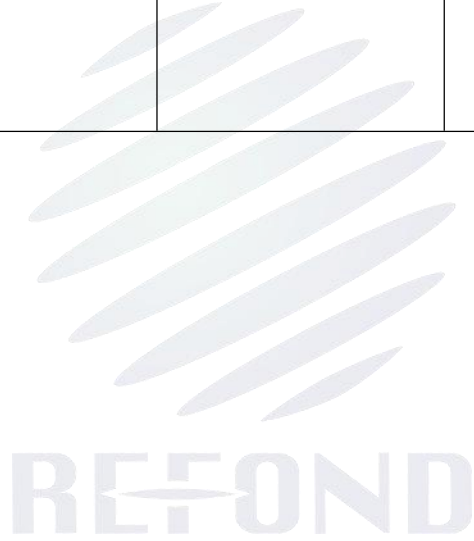


4 REFOND

## 2.4 Reliability Test Items And Conditions

## 2.5 Criteria For Judging Damage

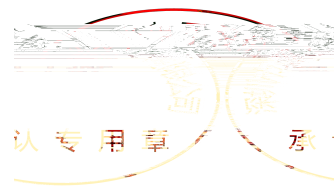





(2)

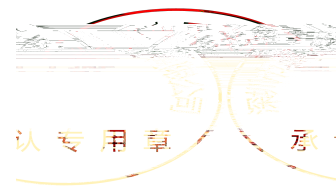


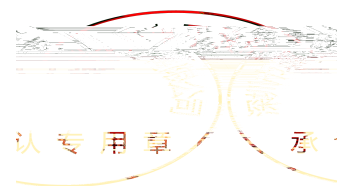
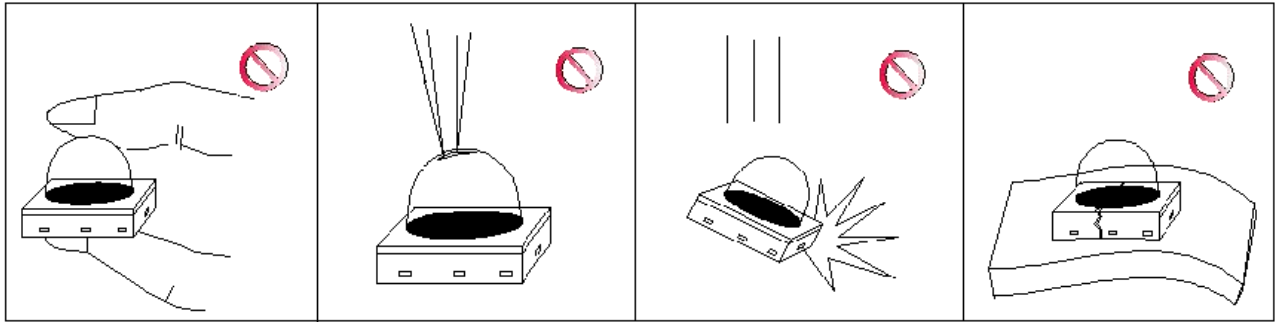
(1)



## 4. Handling Precautions

### 4.1 Handling Precautions





儲存			

