

Radiant Source Model Report

Source Model Information

Product ID:
Source Type: LED
Model Number:
Serial Number:
Manufacturer:

Source Description Notes:

measurement Type: Photometric
SIG Orientation: SIG400/ Vertical
Applied (volts): 3.50V
Current Applied (amps): 150mA
Watts Measured: 0.53W
Cx: 0.3246 Cy: 0.3409 ϕ :72.97 lm

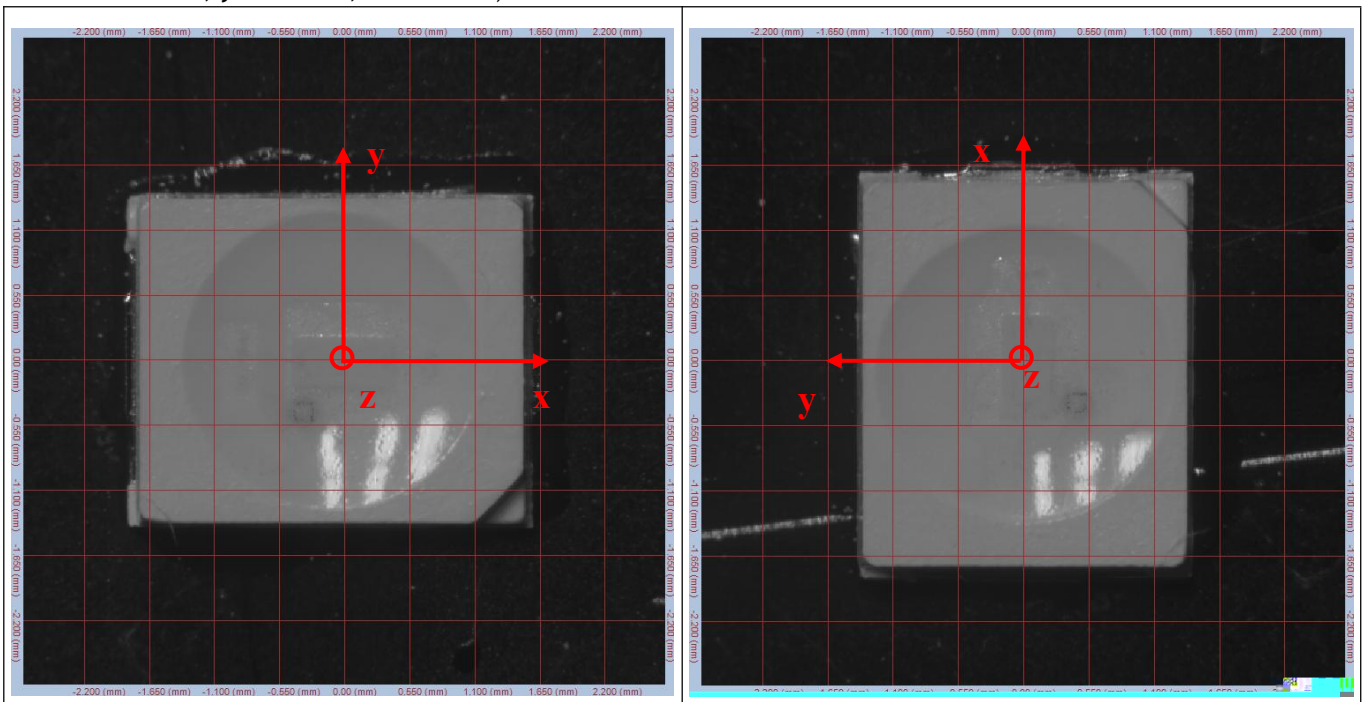
Date Scanned: 28-Dec-2024
Number of Measurements: 2736
Azimuth Range: 0 to 90, Step 5
Polar Range: 0 to 360, Step 5
Rated Lumens/Watts:137 lm/W

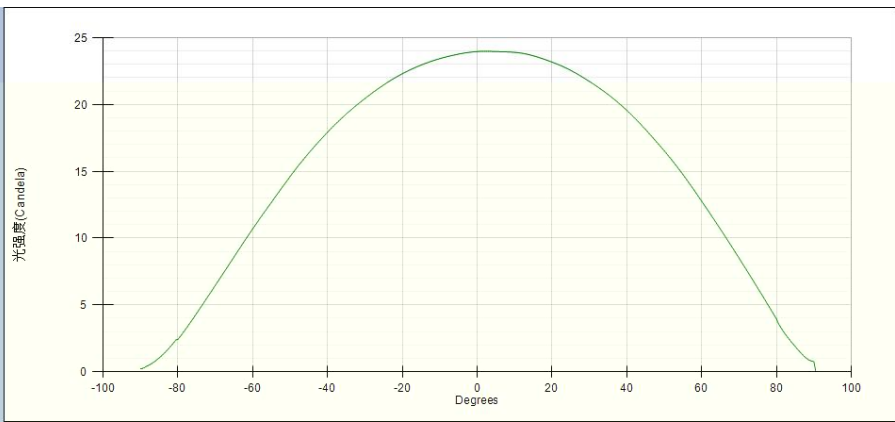
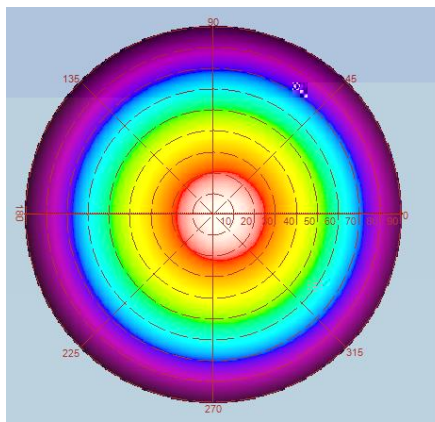
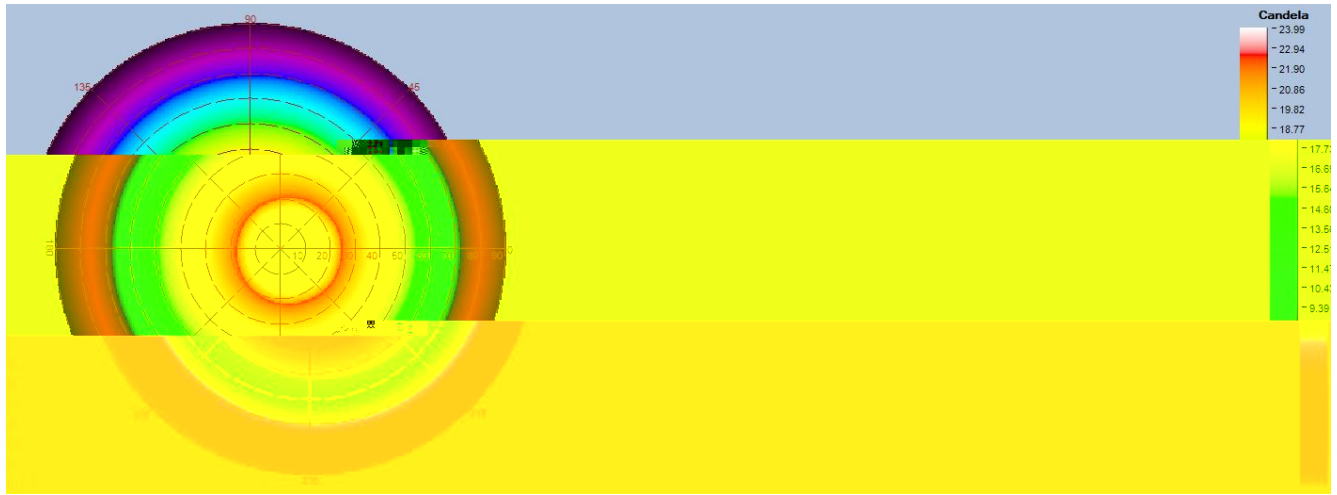
Alignment Images

Test Origin Coordinate Chart

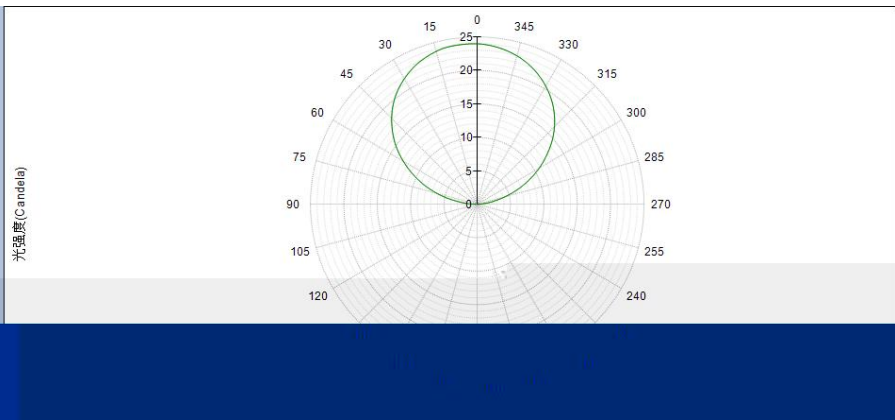
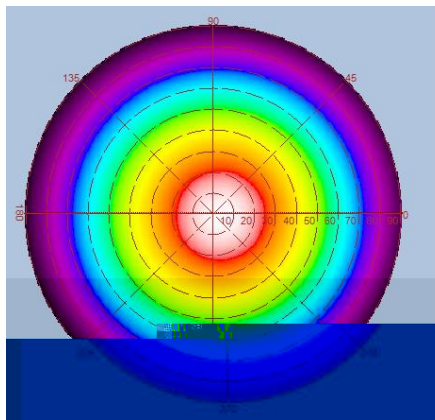
(The deviation of the position of the luminescent center relative to the center of the bracket.

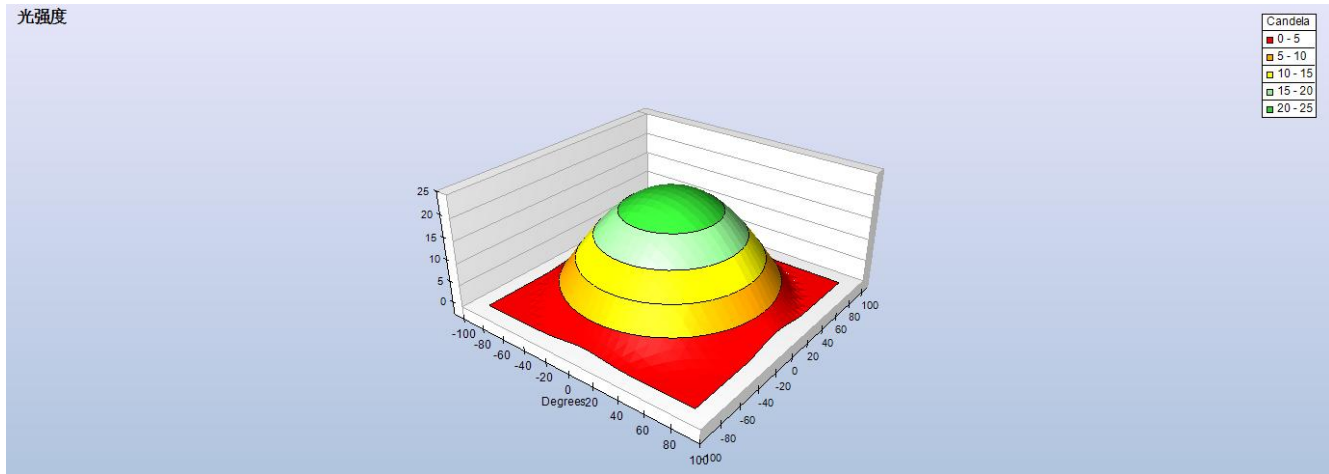
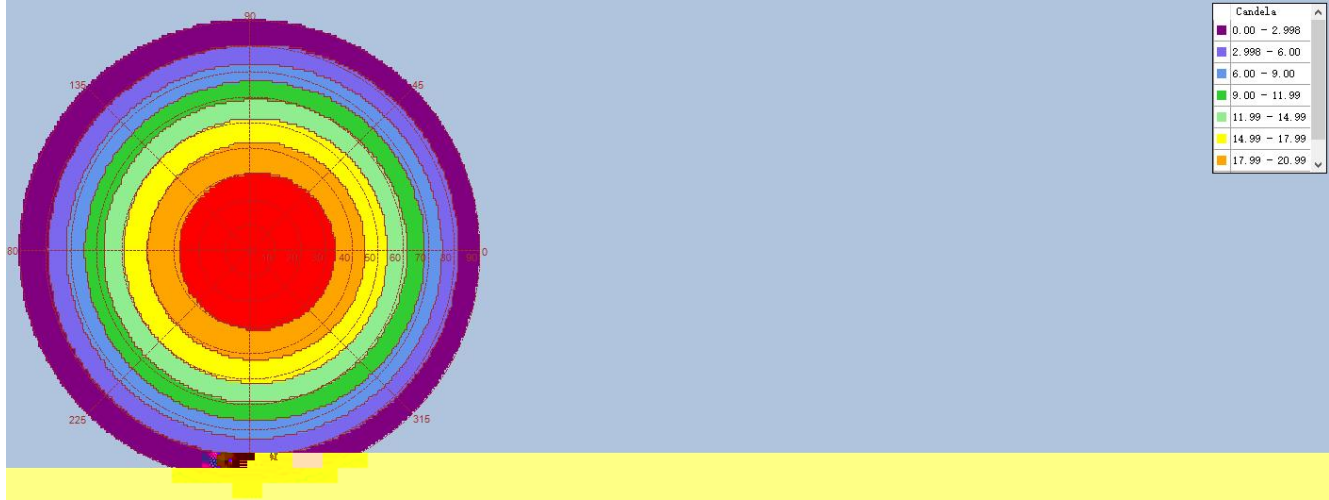
X=0.1125mm, y=0.00 mm, z= 0.00mm)



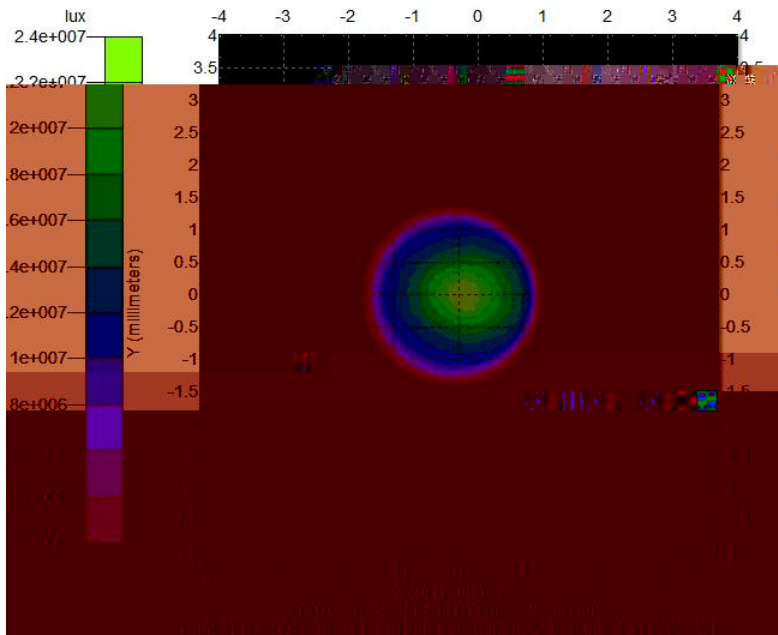


Intensity(traced to infinity) Cross Section Luminous Intensity(Candela)

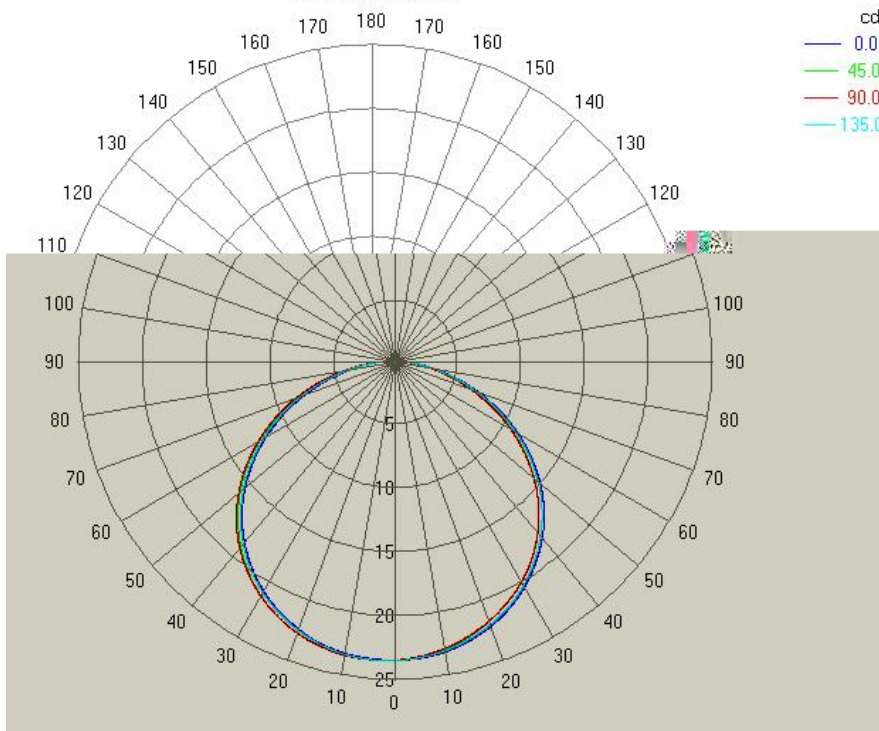




Total - Illuminance Map for Incident Flux
Block 1 Surface 1 Global Coordinates



Polar Candela Distribution Plot
Using Missed Rays



-----END-----